

# PWD's Palmdale Regional Groundwater Recharge & Recovery Overview

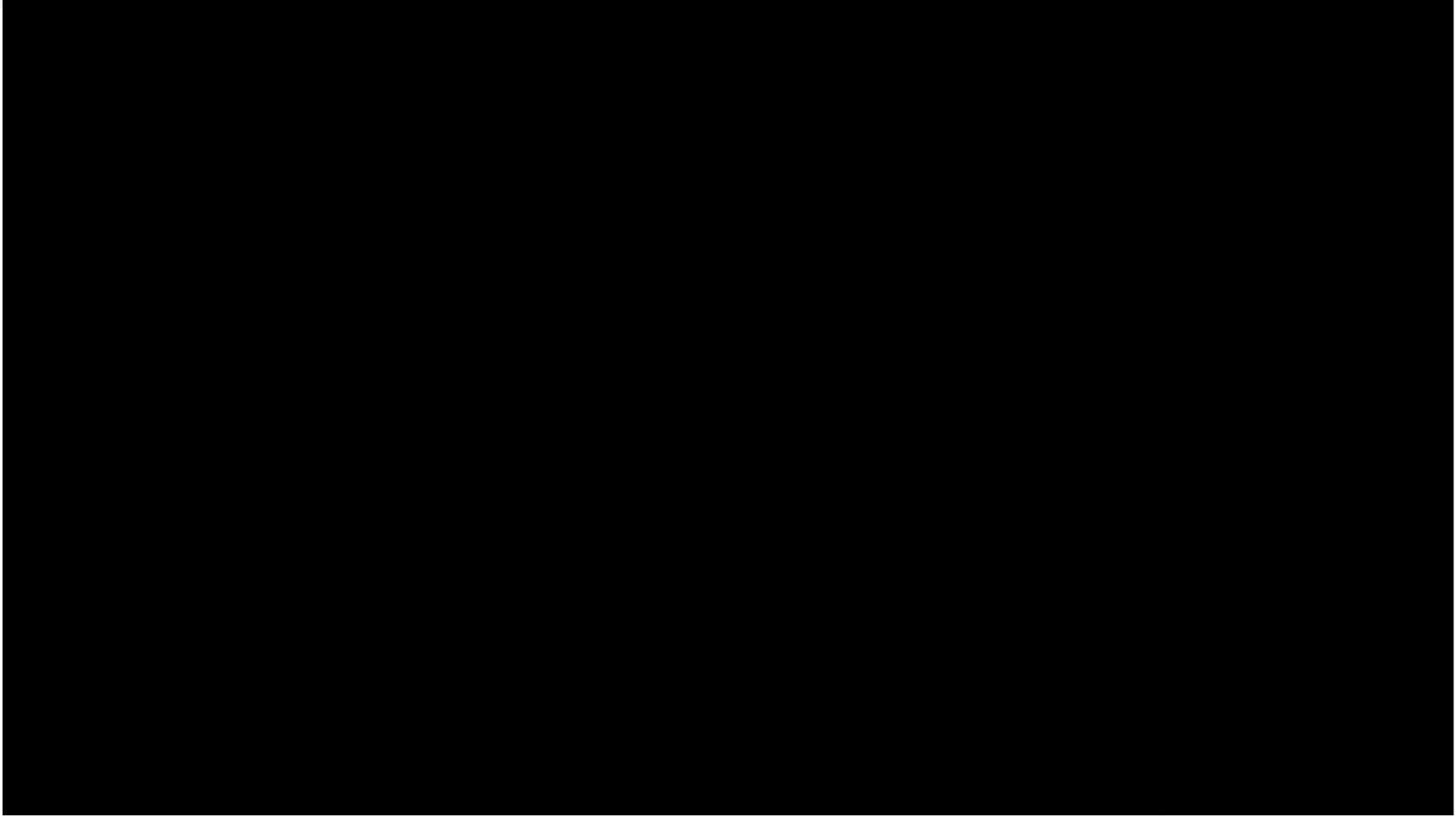


**PALMDALE WATER DISTRICT**

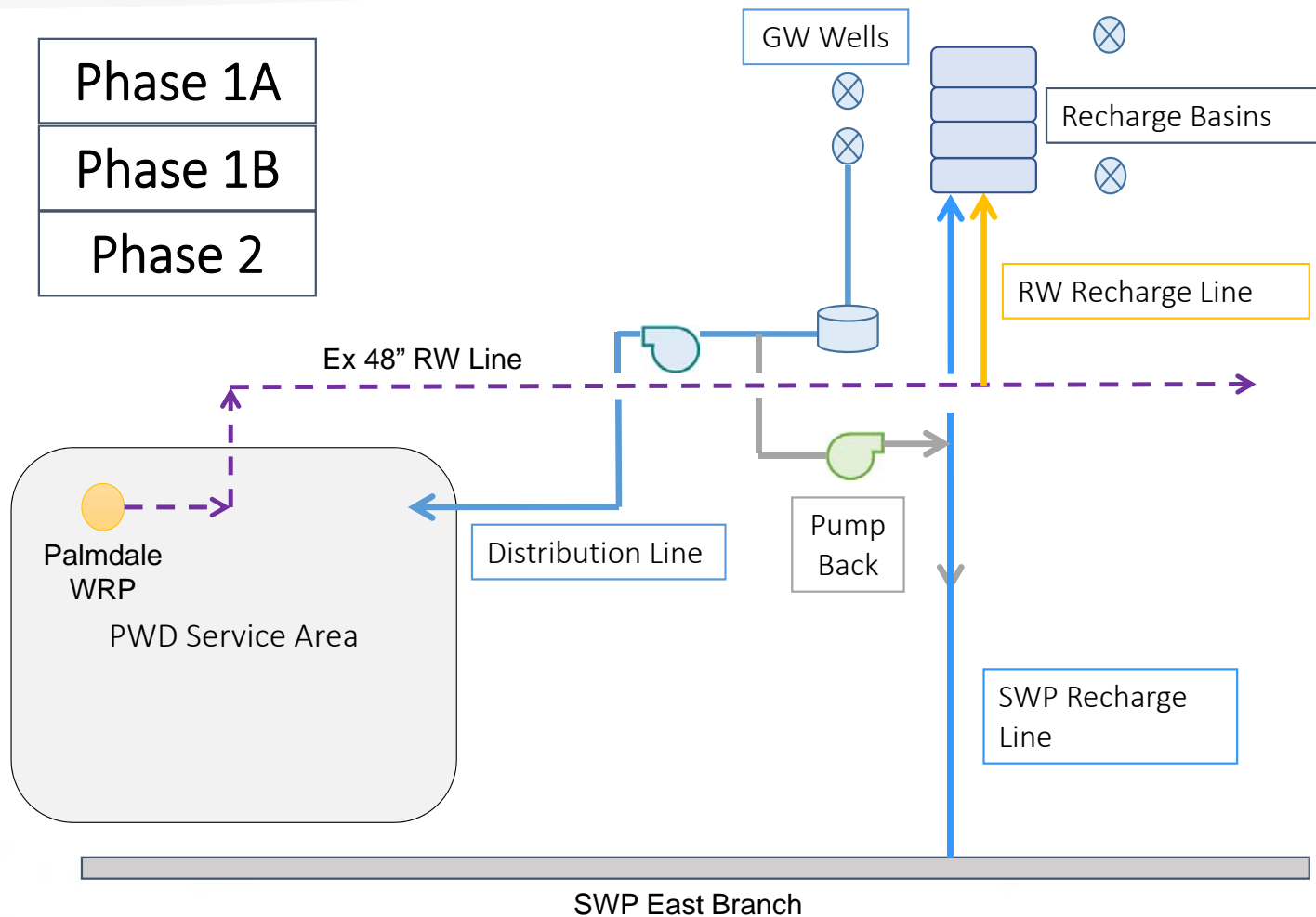
A CENTURY OF SERVICE

- Town Hall
- March 8, 2018

# Palmdale Regional Groundwater Recharge & Recovery Project



# Phased Project Schematic



# Phasing Summary

Phase 1A  
2019-2038 (estimated)



2 recharge basins

4 wells

Pipelines

Phase 1B  
2039-2058(estimated)



1 recharge basin

4 wells

Storage tank

Pump station

Phase 2  
2059-2068(estimated)

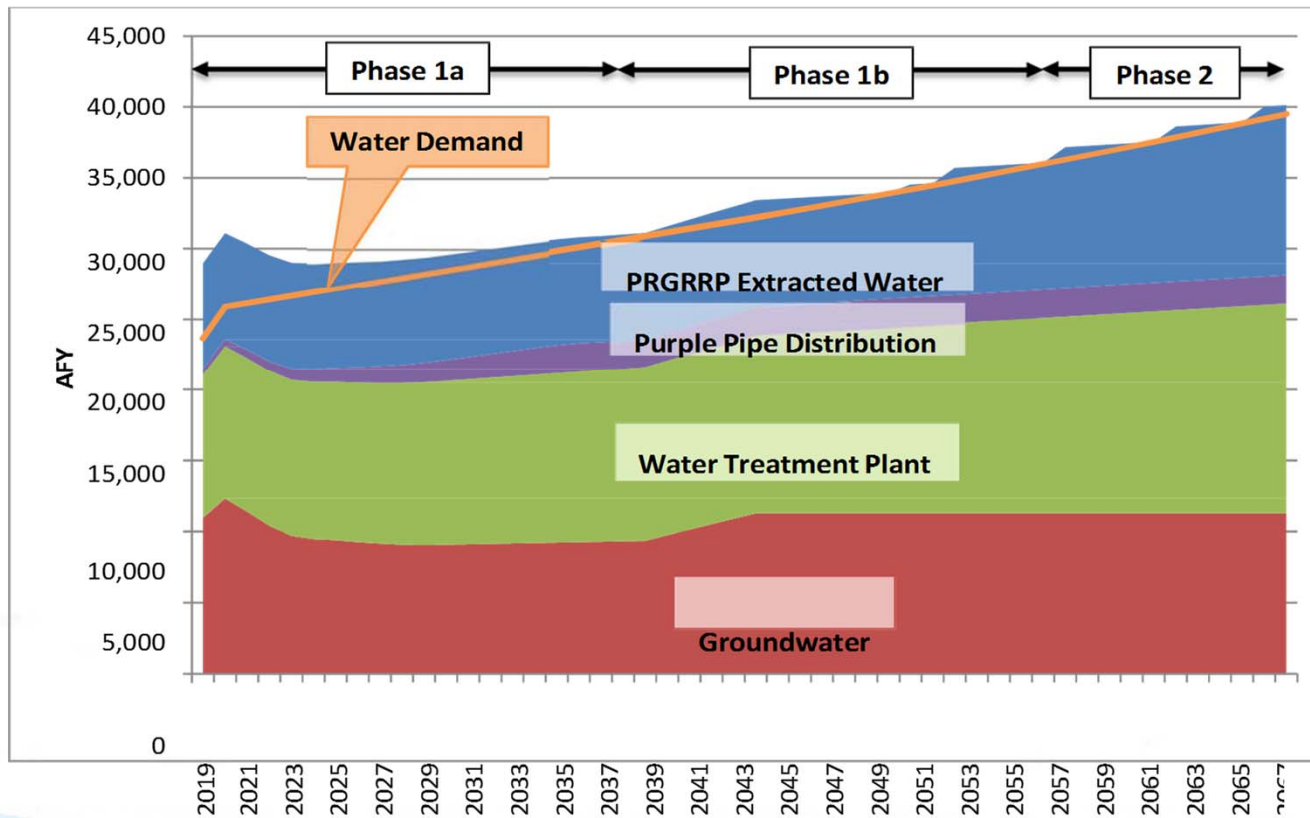


1 recharge basin

8 wells



# PRGRRP Supply Versus Long-term Demand



# Achieve Multiple Benefits



Meet Future Demand Needs



Diversify Water Supply Portfolio



Maximize SWP Water Supply



Increase Reliability



Provide More Local Control

# Palmdale Regional Groundwater Recharge & Recovery Project

Questions?



**PALMDALE WATER DISTRICT**  
A CENTURY OF SERVICE

- Town Hall
- March 8, 2018